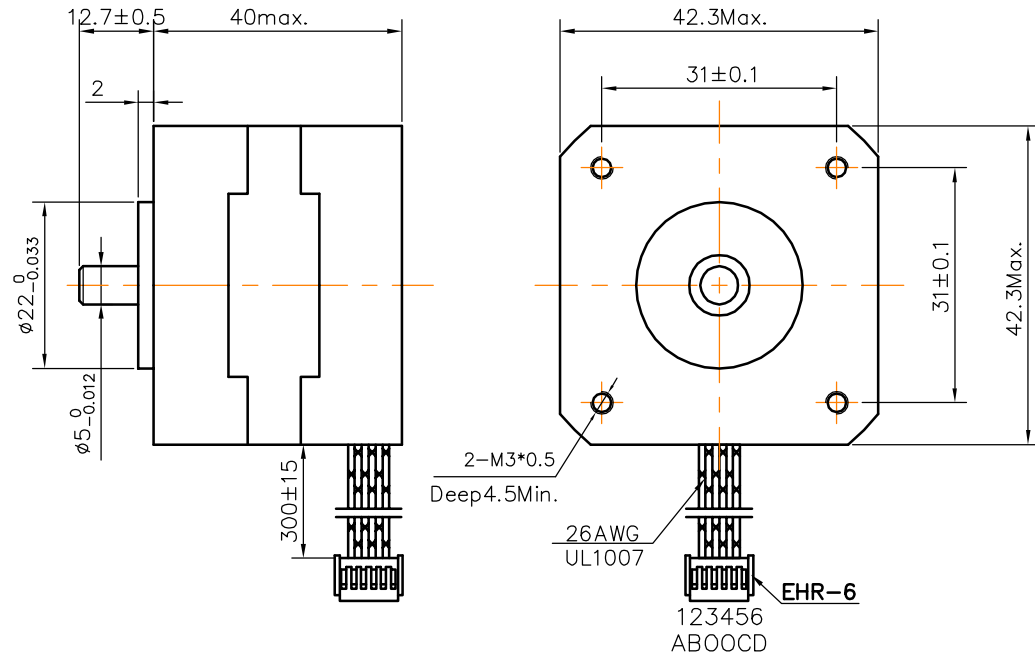
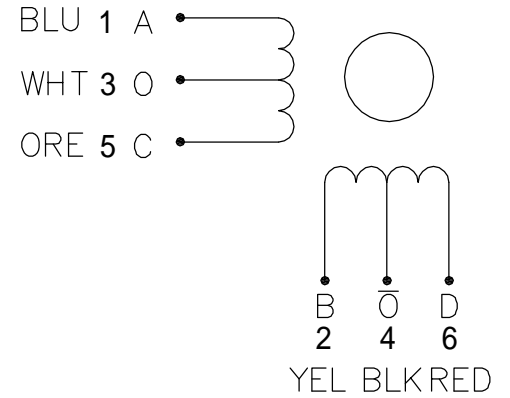


Dimension:
Unit=mm



Wiring Diagram:



Specifications:

Phase	4		Comment
Step Angle	1.8	deg.	
Voltage	3.6	V	
Current	1.2	A	
Resistance	3±10%	Ω	
Inductance	2.7±20%	mH	
Holding Torque	2.9	kg.cm	
Insulation Class	B		
Mass	0.24	kg	

REV.	QTY.	No.	SIG.	DATE	Title:			Arsisan
					Specification			
DESIGN			STD.		CLS.MAK	WEIGHT	SCALE	
CHECK								
PROC.			APPR.		PAGE:	OF PAGES		